

16 CH

## Tuner to IP Gateway



### Outline

16 Tuner to IP Gateway is a head-end interface conversion device which supports MPTS and SPTS output switchable. It supports 16 MPTS or 512 SPTS output over UDP and RTP/RTSP protocol. It is integrated with tuner demodulation (or ASI input) and gateway function, which can demodulate the signal from 16 tuners into IP package, or directly convert the TS from ASI input and tuner into IP package, then output the IP package through different IP address and ports. BISS function is also embedded for tuner input to descramble your tuner input programs.

### Key Features

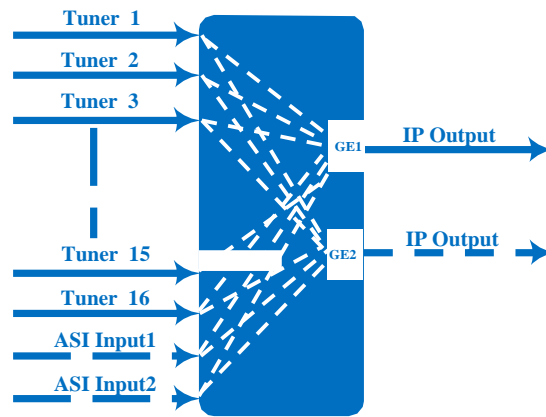
- Support 16 FTA DVB- S/S2 (DVB-C/T/T2 /ISDB-T/ATSC optional )input, 2 ASI input
- Support BISS descrambling

- Support DisEqc function
- 16 MPTS or 512 SPTS output (MPTS and SPTS output switchable)
- 2 GE mirrored output (IP address and port number of GE1 and GE2 are different), up to 850Mbps---SPTS
- 2 independent GE output port, GE1 + GE2---MPTS
- Support PID filtering, re-mapping (Only for SPTS output)
- Support “Null PKT Filter” function (Only for MPTS output)
- Support Web operation

## Specifications

<b>Input</b>	Optional 1:16 tuners input +2 ASI input---SPTS output Optional 2:14 tuners input +2 ASI input --- MPTS output Optional 3:16 tuners input --- MPTS output		
<b>Tuner Section</b>	DVB-C	Standard	J.83A(DVB-C), J.83B, J.83C
		Frequency In	30 MHz~1000 MHz
		Constellation	16/32/64/128/256 QAM
	DVB-T/T2	Frequency In	30MHz ~999.999 MHz
		Bandwidth	6/7/8 M bandwidth
	DVB-S/S2	Input Frequency	950-2150MHz
		Symbol rate	DVB-S: QPSK 2~45Mbauds; DVB-S2:QPSK1~45Mbauds, 8PSK 2~30Mbauds
		Code rate	1/2, 3/5, 2/3, 3/4, 4/5, 5/6, 8/9, 9/10
		Constellation	QPSK, 8PSK
	ISDB-T	Input Frequency	30-1000MHz
ATSC	Input Frequency	54MHz~858MHz	
	Bandwidth	6M bandwidth	
<b>Output</b>	512 SPTS IP mirrored output over UDP and RTP/RTSP protocol through GE1 and GE2 port (IP address and port number of GE1 and GE2 are different) , Unicast and Multicast		
	16 MPTS IP output (for Tuner/ASI passthrough) over UDP and RTP/RTSP protocol through GE1 and GE2 port, Unicast and Multicast		
<b>BISS Descrambling</b>	Mode 1, Mode E (Up to 850Mbps) (descramble individual program)		
<b>Miscellaneous</b>	Dimension	482mm×410mm×44mm (W×L×H)	
	Approx weight	3.6kg	
	Environment	0~45℃(work) ; -20~80℃ (Storage)	
	Power requirements	100~240VAC, 50/60Hz	
	Power consumption	20W	

## Working Principle



## Tuner Input Options:

● 8 DVB-C Tuners + 8 ATSC Tuners
● 8 DVB-S2 Tuners + 8 DVB-T2 Tuners
● 8 DVB-S2 Tuners + 8 ISDB-T Tuners
● 16 DVB-S/S2/DVB-C/T/T2 /ISDB-T/ATSC Tuners